

**GT** Snap-In Terminal 105°C  
Series

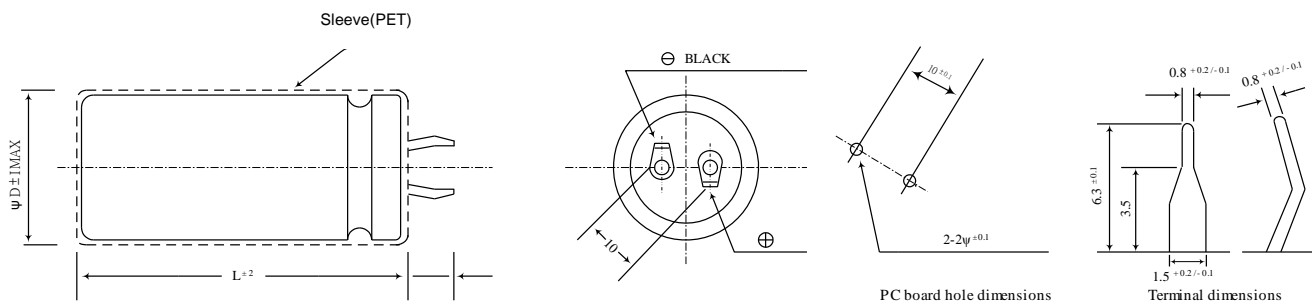
**FEATURES**

GT series is produced with guaranteed long life 2,000 hours at 105°C, designed for PCB mount, suitable for filter circuit, such as: power supply input filter or TV sets etc.



**SPECIFICATION**

Item	Performance Characteristics								
Operation Temperature Range 使用溫度範圍	(WV≤400) : - 40 ~ +105 °C				(WV=450) : - 25 ~ +105 °C				
Rated Working Voltage 額定電壓	10 ~ 100 VDC				160 ~ 450 VDC				
Capacitance Range 容量範圍	47uF ~ 22000uF								
Normal Capacitance Tolerance 靜電容量容許誤差	±20% (120Hz, 20°C)								
Leakage Current 泄漏電流	I ≤ 3√CV or less after 5min, application of rated voltage. C : Capacitance (µF) / V : Voltage (V)								
Dissipation Factor (tan δ) 散逸因素(120Hz 20°C)	Rated Voltage	10 ~ 16	25	35	50	63 ~ 100	160 ~ 250	350 ~ 450	
	tan δ (max.)	0.50	0.40	0.35	0.30	0.25	0.15	0.20	
Low Temperature Characteristics 低溫溫度特性 (120Hz)	Impedance ratio at 120Hz								
	Rated Voltage (V)	16 ~ 100		160 ~ 250		350 ~ 450			
	-25°C / +20°C	4		3		8			
	-40°C / +20°C	15		12		-			
Load Life 高溫負荷特性	After 2,000 hours application of rated voltage at +105°C, capacitors meet the characteristics requirements mentioned below.								
	Capacitance Change	Within 20% of initial value							
	tan δ	200% or less of initial specified value							
	Leakage Current	Initial specified value or less value							
Shelf Life 擱置壽命	After leaving Capacitors under no load at 105°C for 500hours and applying voltage according to JIS C-5102 4-3, they meet the specified value for load life characteristics listed above.								





Snap-In Terminal 105°C  
Series



\* Allowable Ripple at 105°C, 120Hz

WV(SV) CAP (μF)	10V		16V		25V		35V		50V		63V		100V	
1000	Case (Dφ xL mm)	Allowa ble Ripple											22*35	1620
													22*35	1620
1500													22*45	2070
													25*40	2160
2200									22*30	1650	22*35	1800	25*50	2720
											25*30	1860	30*40	2700
3300							22*25	1470	22*35	2080	22*50	2460	30*50	3440
									25*25	2300	25*40	2460	35*40	3400
4700					22*25	1670	22*35	1950	22*45	2660	25*50	3110	35*40	4300
							25*25	1900	25*40	2770	30*40	3080	35*50	4220
6800			22*25	1810	22*30	2080	22*40	2390	25*50	3460	35*50	3820		
					25*25	2060	25*35	2480	30*40	3430	35*40	3780		
10000			22*30	2260	22*40	2690	25*45	3160	30*50	4230	35*40	5200		
			25*25	2330	25*35	2800	30*35	3120	35*40	4190	35*50	4630		
15000	22*35	2630	22*40	2910	25*45	3530								
	25*25	2560	25*35	3030	30*35	3480								
22000	22*40	3140	25*45	3760	30*45	4270								
	25*35	3270	30*35	3710	35*45	4190								

WV(SV) CAP (μF)	160V		200V		250V		350V		400V		450V	
47									22*25	250		
100							22*25	530	22*35	600	22*40	470
							25*25	590	25*30	620	25*30	460
150							22*40	780	22*45	810	25*50	620
							25*30	760	25*35	810	35*40	620
220	22*20	760	22*25	820	22*30	880	22*50	1030	25*45	1070	25*50	820
			25/20	840	25*25	800	25*40	1030	30*35	1060	30*35	820
330	22*25	1010	22*30	1070	22*40	1200	30*40	1360	30*45	1420	35*45	1000
	25*25	1100	25*25	1110	25*30	1180	35*35	1400	35*35	1400	30*50	1090
470	22*35	1360	22*40	1430	22*50	1560	35*45	1820	35*45	1820	35*50	1390
	25*25	1320	25*30	1400	25*40	1560						
680	22*45	1800	25*50	1880	30*45	2120	30*40	1900				
	25*35	1790	30*30	1840	35*35	2090						
1000	25*45	2380	30*45	2570	35*45	2760						
	30*35	2350	35*35	2530								