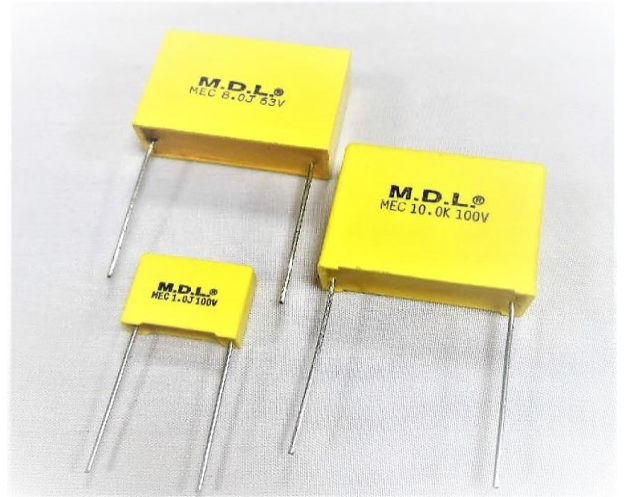
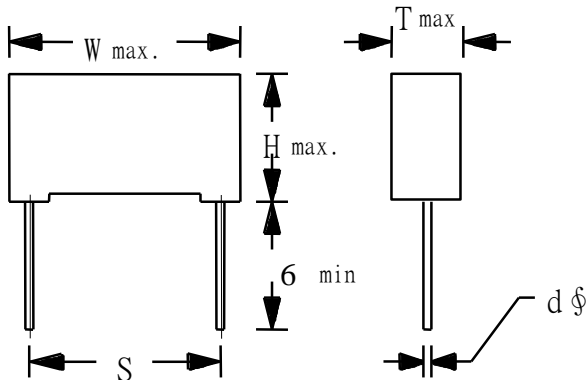


MEC Radial lead, Case Series

■ 1) Dimensions(外觀型式):
(立式盒裝型)



■ 2) Specifications(產品特性):

- (a) Capacitance Tolerance (容量誤差) : ±10% (K) OR ±5% (J) at 1K HZ
- (b) MAX Dissipation Factor (最大損失角) : MAX 0.75% at 1K Hz 25°C
- (c) Temp Range (工作溫度範圍) : - 55°C ~ +105°C*
- (d) Insulation Resistance(絕緣值) : 10,000 MΩ x μF
30,000 MΩ Min.
- (e) Life Test (壽命測試) : 500 Hours at 85°C at 125% Rated Voltage
(印加125%的工作電壓於85°C/500小時)
- (f) Pull Test (拉力測試) : Will sustain 2 kgs steady pull in the direction of lead egress and 1 kg steady pull at any 90 degree angle for 60 seconds. After test, capacitor shall show no evidence of damage and pass all electrical requirements.

■ 3) MAX SIZE(本體最大尺寸表 W x H x T)

Unit : mm

W.V.	100 VDC					250 VDC				
SIZE	W max.	H max.	T max.	S ±1.0	d φ	W max.	H max.	T max.	S ±1.0	d φ
1.0	18.0	13.5	7.5	15.0	0.8	26.5	17.0	8.5	20.0	0.8
1.5	26.5	15.0	6.0	20.0	0.8	32.0	20.0	11.0	27.5	0.8
2.2	26.5	17.0	8.5	20.0	0.8	32.0	20.0	11.0	27.5	0.8
3.3	26.5	19.0	10.0	20.0	0.8	32.0	20.0	11.0	27.5	0.8
4.7	32.0	20.0	11.0	27.5	0.8					
6.8	32.0	22	13.0	27.5	0.8					
10.0	32.0	25	14	27.5	0.8					

ANY SPECIAL VALUE ARE ACCEPTABLE, ITS SIZE TO BE PROVIDED UPON REQUESTED
SIZE MAYBE CHANGED W/O NOTICE. SPECIAL SIZE IS ACCEPTABLE

- 如有需特殊尺寸 / 容量-請洽本公司.
- 以上為參考尺寸,如有更動不另行通知.
- <https://WWW.MDL.COM.TW>