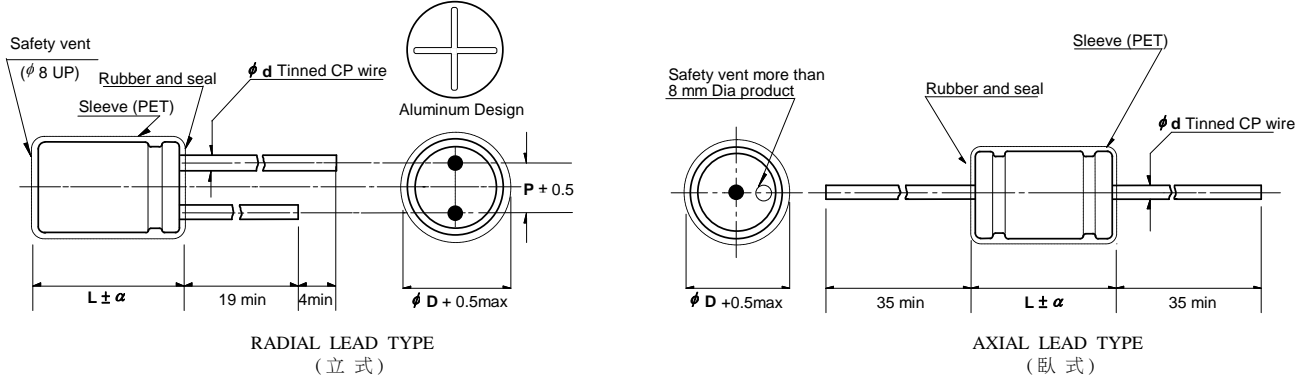


N10 Series

N10R & N10A Type

1) Dimensions (外觀型式):



Unit (mm)

φ D	8	10	13	16	18	22	25
φ d	0.5	0.6	0.6	0.6	0.8	0.8	0.8
P	3.5	3.5	5.0	5.0	7.5	7.5	10
α	1.0	1.0	1.5	1.5	1.5	1.5	2.0

φ D	8	10	13	16	18	22	25
φ d	0.6	0.6	0.8	0.8	0.8	0.8	0.8
α	0.8	1.5	2.0	2.0	2.0	2.0	2.0

- 2) Capacitance Tolerance (容量誤差) : ±10% (K) at 120 HZ
- 3) Leakage Current (洩漏電流) : MAX. 0.03CV + 3μA After 5 minutes application of rated working voltage (MAX.0.03CV + 3μA, 印加額定電壓5分鐘後測定)
- 4) Temp Range (工作溫度範圍) : - 40°C ~ + 105°C
- 5) Load Life (壽命測試) : After 1,000 hours application of rated voltage at 105 ±2°C, capacitors meet the characteristics requirement listed at right. (以下數值是在印加額定電壓及105±2°C於1,000小時後測定)
 - (a)Capacitance change: Within ±25% of initial (電容量改變: 不超過±25%的初始值)
 - (b)Tan δ :200% or less of initial specified (損失角: 不超過200%的初始值)
 - (c)Leakage current : Install specified value or less (洩漏電流: 不超過初期規格)
- 6) MAX Dissipation Factor (最大損失角) : MAX 10% at 120 HZ

N10R SERIES

N10A SERIES

CAP(μF)	RADIAL LEADS (立式)			
	50 V		100 V	
	SIZE φ D*L(mm)	M.D.L. Code	SIZE φ D*L(mm)	M.D.L. Code
47	10*15	N10R-050K4701015	13*21	N10R-100K4701321
68	13*21	N10R-050K6801321	13*26	N10R-100K6801326
82	13*21	N10R-050K8201321	13*26	N10R-100K8201326
100	13*21	N10R-050K1011321	16*27	N10R-100K1011627
150	13*26	N10R-050K1511326	16*27	N10R-100K1511627
220	13*26	N10R-050K2211326	16*38	N10R-100K2211638
250	13*26	N10R-050K2511326	16*38	N10R-100K2511638
300	16*22	N10R-050K3011622	16*38	N10R-100K3011638
330	16*22	N10R-050K3311622	16*38	N10R-100K3311638
350	16*32	N10R-050K3511632	18*38	N10R-100K3511638
400	16*32	N10R-050K4011632	22*38	N10R-100K4012238
500	16*38	N10R-050K5011638	22*38	N10R-100K5012238
600	16*38	N10R-050K6011638	25*44	N10R-100K6012544
700	18*38	N10R-050K7011838	25*44	N10R-100K7012544
800	18*38	N10R-050K8011838	25*44	N10R-100K8012544
900	18*38	N10R-050K9011838	25*44	N10R-100K9012544
1000	22*38	N10R-050K1022238	25*44	N10R-100K1022544

CAP(μF)	AXIAL LEADS (臥式)			
	50 V		100 V	
	SIZE φ D*L(mm)	M.D.L. Code	SIZE φ D*L(mm)	M.D.L. Code
47	10*19	N10A-050K4701019	13*27	N10A-100K4701327
68	13*27	N10A-050K6801327	13*31	N10A-100K6801331
82	13*27	N10A-050K8201327	13*31	N10A-100K8201331
100	13*27	N10A-050K1011327	16*34	N10A-100K1011634
150	13*31	N10A-050K1511331	16*34	N10A-100K1511634
220	13*31	N10A-050K2211331	16*43	N10A-100K2211643
250	13*31	N10A-050K2511331	16*43	N10A-100K2511643
300	16*34	N10A-050K3011634	18*44	N10A-100K3011844
330	16*34	N10A-050K3311634	18*44	N10A-100K3311844
350	16*38	N10A-050K3511638	18*44	N10A-100K3511844
400	16*43	N10A-050K4011643	22*45	N10A-100K4012245
500	16*43	N10A-050K5011643	22*45	N10A-100K5012245
600	16*43	N10A-050K6011643	25*52	N10A-100K6012552
700	18*44	N10A-050K7011844	25*52	N10A-100K7012552
800	18*44	N10A-050K8011844	25*52	N10A-100K8012552
900	18*44	N10A-050K9011844	25*52	N10A-100K9012552
1000	22*45	N10A-050K1022245	25*52	N10A-100K1022552

ANY SPECIAL VALUE ARE ACCEPTABLE, ITS SIZE TO BE PROVIDED UPON REQUESTED SIZE MAYBE CHANGED W/O NOTICE. SPECIAL SIZE IS ACCEPTABLE

- 如有需特殊尺寸 / 容量-請洽本公司。
- 尺寸如有更動, 不另行通知
- http://WWW.MDL.COM.TW